

EN334S/U

4ch Receiver & Transceiver



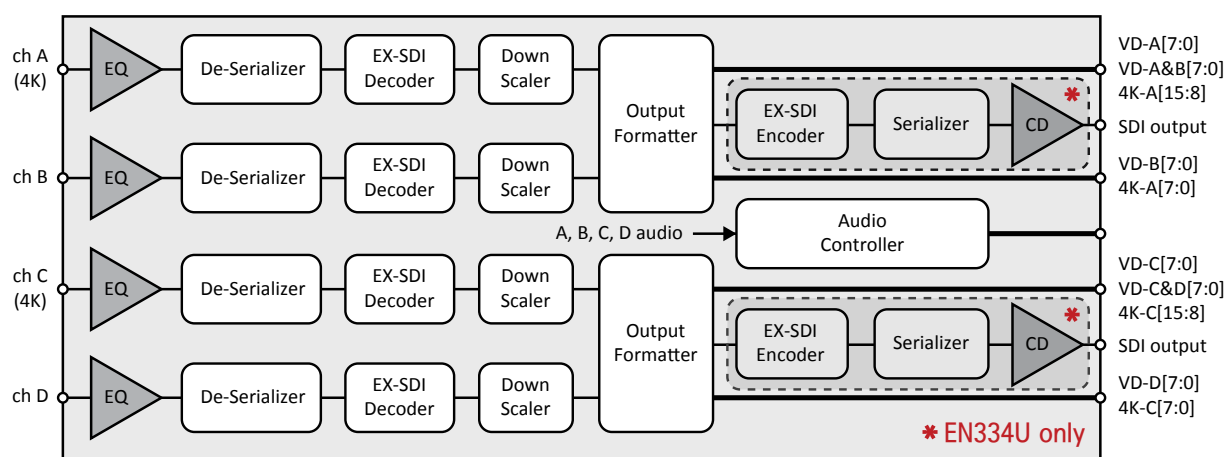
Descriptions

EN334S/U commonly embeds a 4ch receiver supporting Audio Interface. Cost effectively, it highly integrates cable equalizers, cable driver, and de-serializers with low power consumption. In addition, it is equipped with UCC modulator supporting PTZ and commands of signals to travel upstream toward camera sides with associated analog circuit.

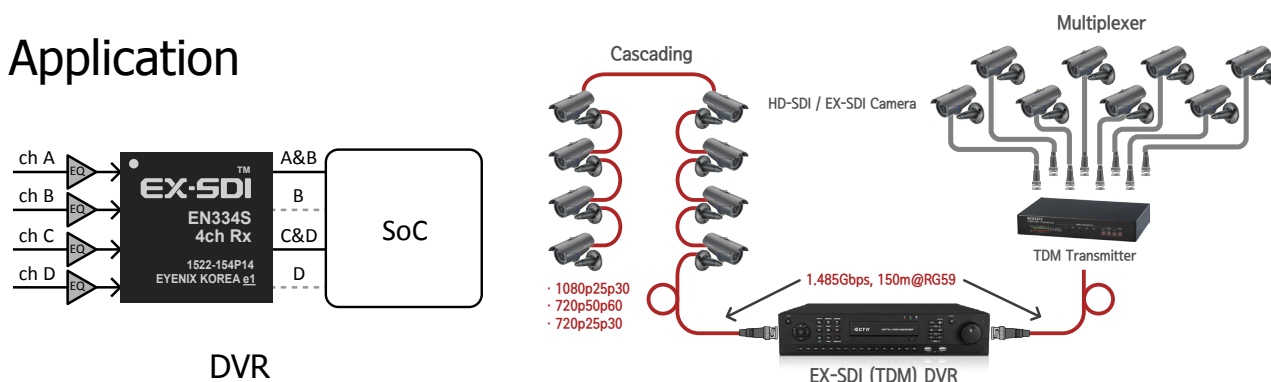
EN334S/U provides a long reach performance with EX-SDI technology. EX-SDI includes the VLC (Visually Lossless Codec) to reduce transmission bandwidth, and provides a long reach solution on currently existing cables, such as coax and UTP cables. It can be encoded at both 270Mbps and 135Mbps, and guarantees high quality video, regardless of complexity of input images. The average PSNR is above 40dB and the end-to-end latency is less than 100 μ s. EN334U embeds SDI Tx function and supports TDM in addition to Rx function of EN334S.

	EN334S	EN334U
4ch Rx(FHD)	○	○
4K Rx(1.5Gbps)	-	○
4k Rx(270Mbps)	-	○
4k Tx(1.5Gbps)	-	○
4k Tx(270Mbps)	-	○
TDM	○(Rx)	○(Rx/Tx)



Functional Block Diagram



Application



Comparison of EN334S/U with EN334A

	 EN334S	 EN334U
Integrated IP	n/a	Integrated SDI Serializer
	n/a	Integrated Reclocker (TBD)
	Integrated SDI De-Serializer	
SDI Rx	FHD-SDI Rx : 4ch	
	n/a	EX-SDI Rx incl. 4k
SDI Tx	n/a	SDI Tx
	n/a	HD-SDI Tx
	n/a	EX-SDI 4k Tx (1.5Gbps, 270Mbps)
	n/a	SDI convertor/ repeater (TBD)
EX-SDI TDM	Rx for DVR	Rx / Tx
Digital Video Output	720p 25/30/50/60	
	1080p 25/30	
	1080i 50/60	
	4M 30p	
	n/a	4K 30p (2ch supported)
Video Interface	BT.1120 8bit	
	BT.656 8bit	
Audio Interface	148.5MHz dual edge clock	
	I2S	
Other Func.	Downscaler	
	UCC modulator	
	Pattern generator	
	Stream ID embedder/de-embedder	
	TRS, CRC, LINE_NO Correction	
	Image FEC (supported in EX-SDI V2.0 or later)	
	Auto SDI detection	
Package	Auto video format detection	
	256FBGA 13mm x 13mm	
Power Consumption	1000mW (TBD)	